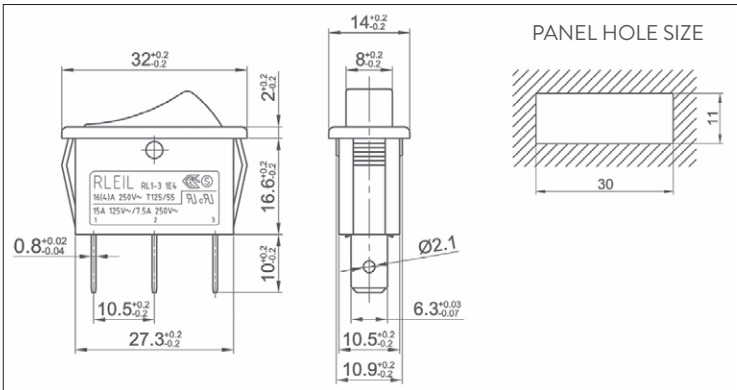




RL-13W-11/N-D (OR)-39-BK/BK-P1-2



16 (4)A 250VAC T125/55 1E4  
15A 125V/7.5A 250VAC

(H) Rating: 16(8)A 250VAC T85/55 1E4

# RL-13W

RL-13W	11/N	C	2	RE/BK	P1	(2)
Function	Cap type	Cap Printing	Cap colour / Housing	Terminals	Voltage	
00	Indicator lamp 2T	A Flat	0 None	WT White		1 110VAC
11	ON - OFF 2T	C Soft line	1	BK Black		2 220VAC
11/N	ON - OFF 3T w/lamp	D W/Round len	2	RE Red		3 12VDC
11(ON)	(ON) - OFF 2T	I Indicator lamp	3	OR Orange		4 24VDC
12	ON - ON 3T	P W/PVC-CAP	4	GR Green		
12(ON)	(ON) - ON 3T		5	BL Blue		
13	ON - OFF -ON 3T		6	GE Grey		
			7			
			8			
			X Custom			