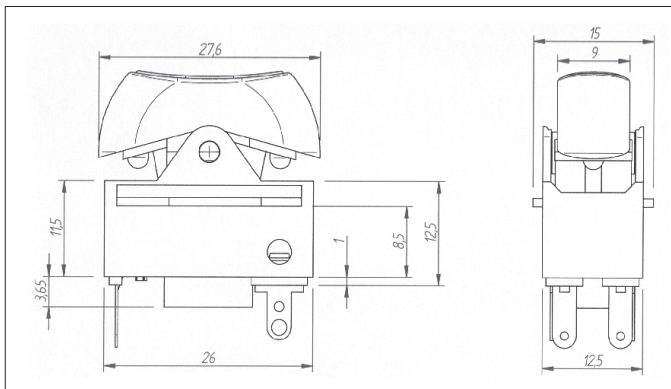
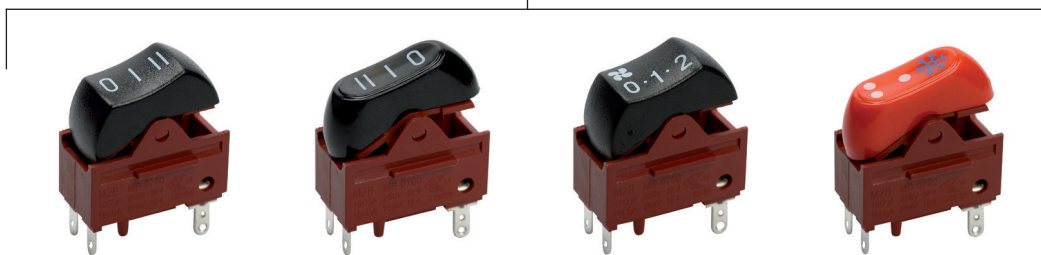




MB-0700-10-275-RE/BR-P16-0



13A 125V/8A 250V T85

250VAC 16(3) T85/55 1E4
10(2) T85/55 5E4

MB-0700

MB-0700 10 0 RE/BR P16 S

Function		Cap Printing		Cap colour / Housing		Terminals	Support
10	OF - ON - ON	0	None	WT	White		S
		371		BK	Black		
		372		RE	Red		
		168		OR	Orange		O
		K	Without actuator	BL	Blue		
		X	Custom	BR	Brown		
Electrical diagram POS 0 POS 1 POS 2							