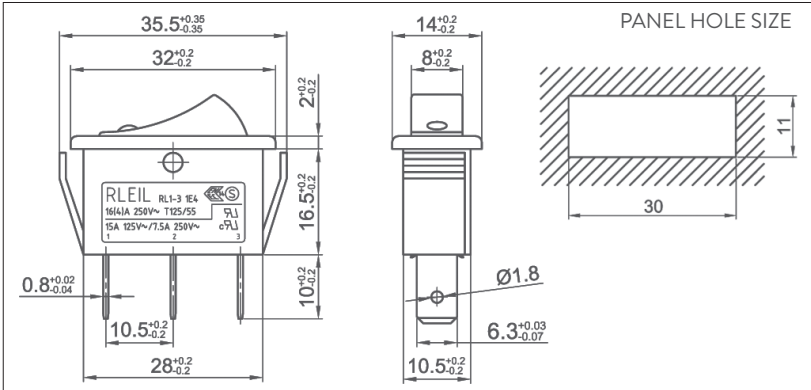
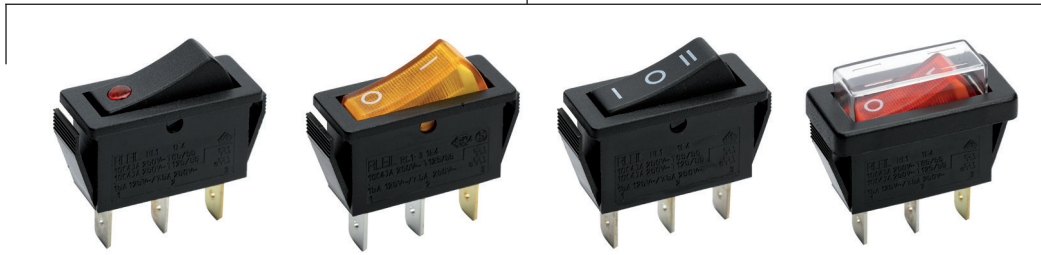




RL-13-11/N-C-2-GR/BK-P2



16 (4)A 250VAC T125/55 1E4
15A 125V~/7.5A 250VAC

(H) Rating: 16(8)A 250VAC T85/55 1E4

RL-13

RL-13 11/N		C		2		GR/BK		P1		(2)	
Function		Cap type		Cap Printing		Cap colour / Housing		Terminals		Voltage	
00	Indicator lamp 2T	A	Flat	0	None	WT	White		1	110VAC	
11	ON - OFF 2T	C	Soft line	1		BK	Black		2	220VAC	
11/N	ON - OFF 3T w/lamp	D	W/Round len	2		RE	Red		3	12VDC	
11(ON)	(ON) - OFF 2T	I	Indicator lamp	3		OR	Orange		4	24VDC	
12	ON - ON 3T	P	W/PVC-CAP	4		GR	Green				
12(ON)	(ON) - ON 3T			5		BL	Blue				
13	ON - OFF -ON 3T			6		GE	Grey				
				7							
				8							
				X	Custom						