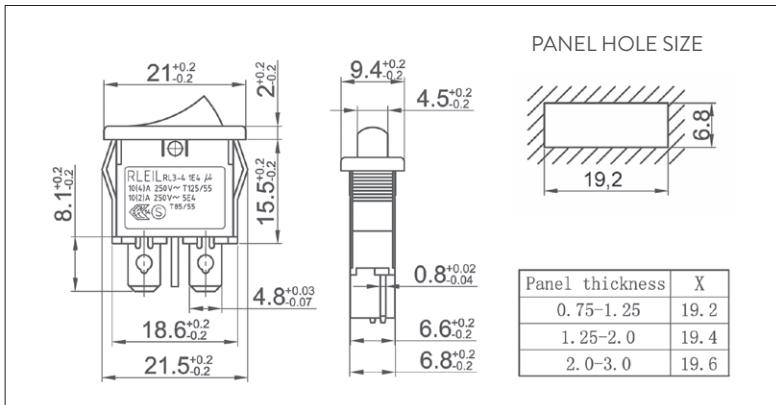
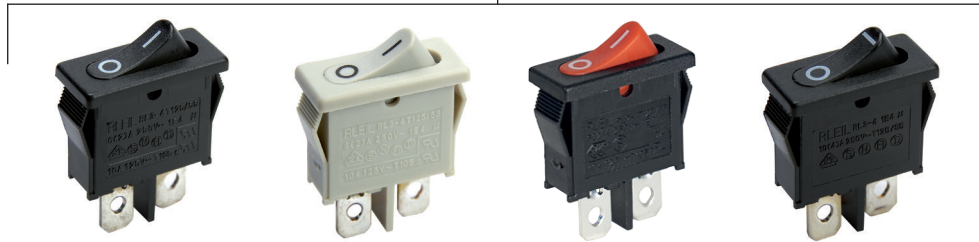




RL-34S-11-G-2-WT/BK-P8



(G): 6 (2)A 250VAC T125/55 1E4
10A 125VAC

(H): 10 (4)A 250VAC T125/55 1E4
16A 125V/10A 250VAC 1/3HP
125-250VAC T105

RL-34S

RL-34S 11 G 2 BK/BK P8

Function		Rating	Cap Printing		Cap colour / Housing		Terminals
11	ON - OFF 2T	G 10A 125 VAC 6A 250 VAC	0	None	WT	White	
11(ON)	(ON) - OFF 2T		1		BK	Black	
		H 16A 125 VAC 10A 250 VAC	2		RE	Red	
			3		OR	Orange	
			4		GR	Green	
			5		BL	Blue	
			8		GE	Grey	
			X	Custom			