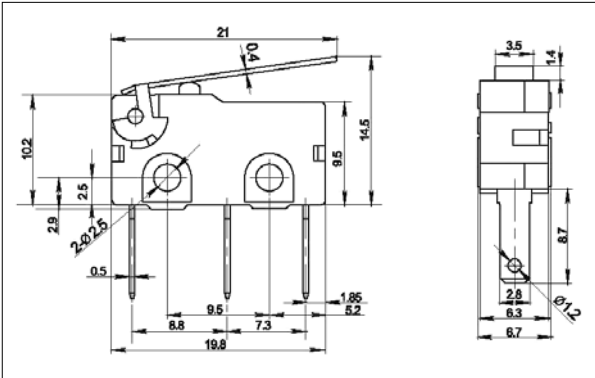




RL-62-E-H-BK-P41-O-N



- (G): 6A 125V/250VAC
6A 250VAC T85 1E4
- (H): 10A 125V/6A 250VAC T85 1/4HP 125VAC
10A 250VAC T85 1E4

Mechanical life: 1E6 cycles
In-house test

(* Switch can carry MP (mushroom push) lever type

RL-62

RL-62		D	G	BK	P31	O	K				
Function		Rating		Cap colour / Housing		Terminals		Lever Type		Operating Force	
D	(ON)-OFF 2P	G	6A 125/250 VAC 6A 250 VAC	WT	White	 (P31) 2.9	0	Not Applicable	K	60 ± 15 gf	
E	ON-(OFF) 2P			BK	Black		1		L	100 ± 20 gf	
F	(ON)-ON 3P	H	10A 125 VAC 10A 250 VAC	GE	Grey		 (P41)	2		M	150 ± 30 gf
						 (PCB)	3		N	250 ± 50 gf	
						 [PCB(2)]	4				
							5				
							...				