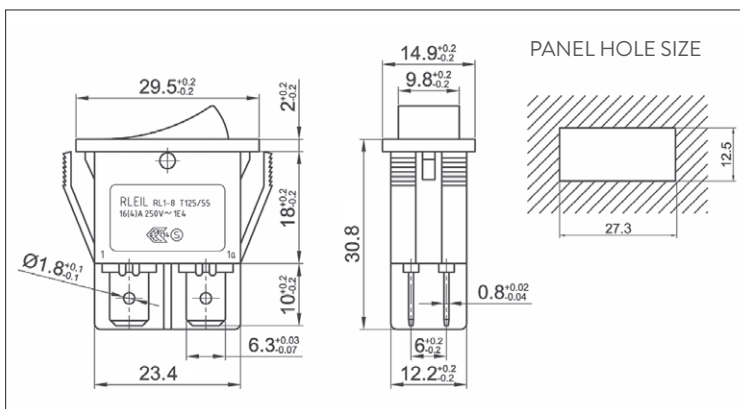




RL-18W-21/N-D(GR)-C-129-BK/BK-P1



16 (4)A 250VAC T125/55 1E4
16A 125VAC ½ HP T105

RL-18W

RL-18W 11 C 2 WT/BK P1

| Function | | Cap type | | Cap Printing | | Cap colour / Housing | | Terminals |
|----------|--------------------|----------|-----------|--------------|--------|----------------------|-------|----------------|
| 11 | ON - OFF 2T | C | Soft line | 0 | None | WT | White | <p>(P1)</p> |
| 21 | ON - OFF 4T | | | 1 | | BK | Black | |
| 21/N-D | ON - OFF 4T w/lamp | | | 2 | | GE | Grey | |
| | | | | 3 | | | | <p>(P21)</p> |
| | | | | 4 | | | | |
| | | | | 5 | | | | <p>(P21-F)</p> |
| | | | | 8 | | | | |
| | | | | X | Custom | | | |