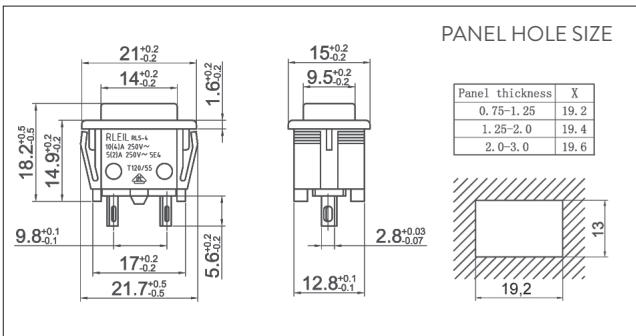
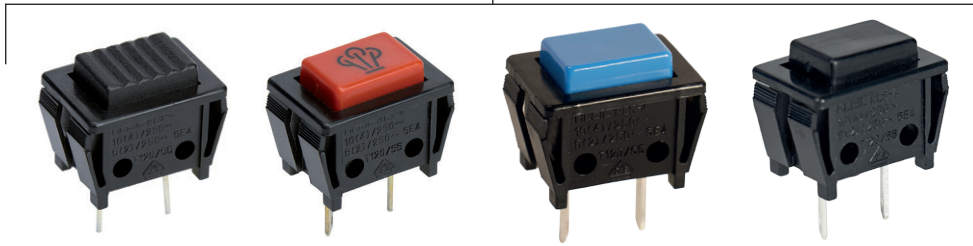




RL-54-10(ON)-A-164-H-WT/BK-P26



(G): 6A 125/250VAC T85 1/4HP
 5(2)A 250VAC T120/55 5E4
 (H): 10(4)A 250VAC T120/55 1E4

RL-54

Function		Cap Type		Cap Printing		Rating		Cap colour / Housing		Terminals
10(ON)	(ON) - OFF 2T	A	Flat	0	None	G	5(2)A 250 VAC	WT	White	 (P26)
		W		X	Custom	H	10(4)A 250 VAC	BK	Black	
								RE	Red	 (P30)
								BL	Blue	
								GE	Grey	