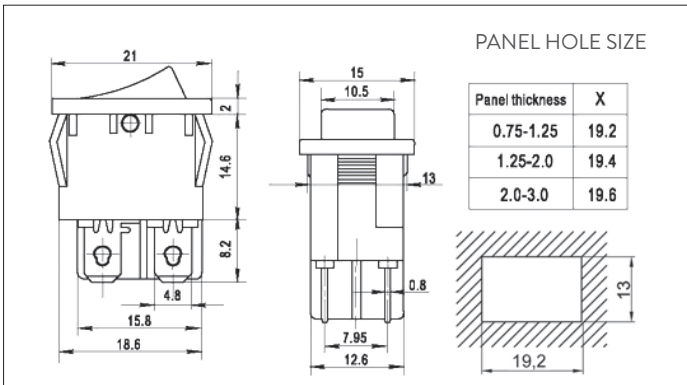




RL-34-21/N-G-2-RE/BK-P4



(G): 6 (2)A 250VAC T125/55 1E4  
10A 125VAC

(H): 10 (4)A 250VAC T125/55 1E4  
10 (2)A 250VAC T85/55 5E4  
16A 125V/10A 250VAC 1/3HP  
125-250VAC T105

# RL-34

RL-34 21 G 2 BK/BK P8 0 ... 2

Function		Rating	Cap Printing		Cap colour / Housing	Terminals	Nothing		Voltage		
11	ON - OFF 2T	G	0	None	WT White	(P4)	0	Nothing	1	110VAC	
11/N	ON - OFF 3T w/lamp		1		BK Black		(P8)	P	PVC/Cap.	2	220VAC
21	ON - OFF 4T	H	2		RE Red	(P18)				3	12VDC
21/N	ON - OFF - 4T w/lamp		3		OR Orange		4			4	24VDC
			4		GR Green						
			5		BL Blue						
			8		GE Grey						
			X	Custom							

