



MT8-S01D200A06



MT8

MT8 B 1 2 2 0

Terminal Style		Lever Type		Construction		Operating Force at pin Plunger, Max		Circuit Code	
S	Solder terminals	00	No lever Pin plunger	D	Dust proof-IP00 Terminal type	150	150gf Max. Only suitable for the L1 type of load	A	SPDT
D	110#Fast connection terminals 2.8x0.5mm	01	Straight lever 17.7mm	W	Water proof-IO67 With lead wires	200	200gf Max.	B	SPST- NC
P	0.6mm Wide straight PCB terminals	02	Straight lever 19.7mm			300	300gf Max.	C	SPST- NO
H	1.3mm Wide straight PCB terminals	03	Long straight lever 25.8mm			400	400gf Max. Note: for the type 10 of the load, only this OF is recommended.		
L	Left side PCB terminals	06	Simulated roller 18.9mm			...	Other		
R	Right side PCB terminals	07	Inverted triangle lever						
B	Wire leads to bottom	08	Roller lever 15.7mm						
E	Wires leads to side (plunger side)	10	Longest straight lever 56.2mm						
F	Wires leads to side (Opposite to plunger side)	...	Other						



0.1A 125/250VAC 48VDC u 40T120 5E4; 3A 125/250VAC 48VDC 5E4 UL&ENEC&CQC;
6(3)A 125/250VAC 1E4 UL&ENEC&CQC; 6A 36VDC 1E4 u 40T120 UL&ENEC&CQC;
10(3)A 125/250VAC u 40T120 1E4 UL&ENEC&CQC



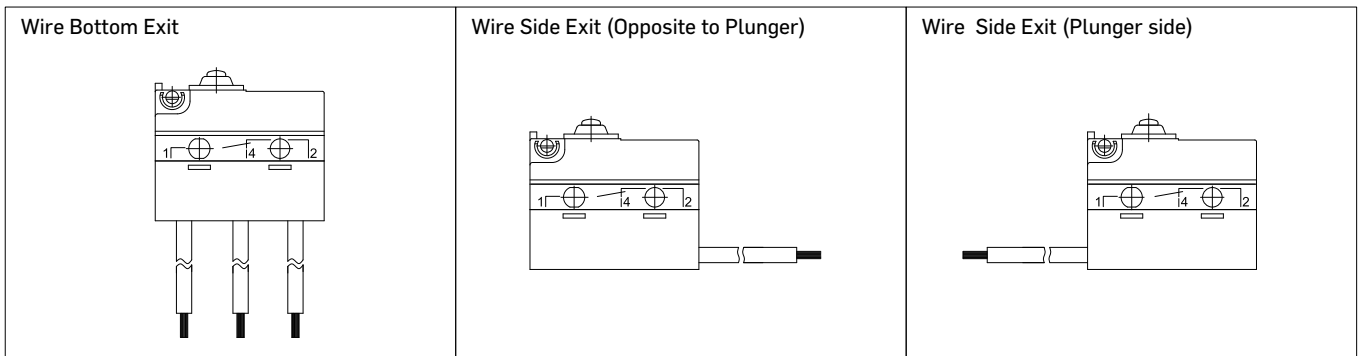
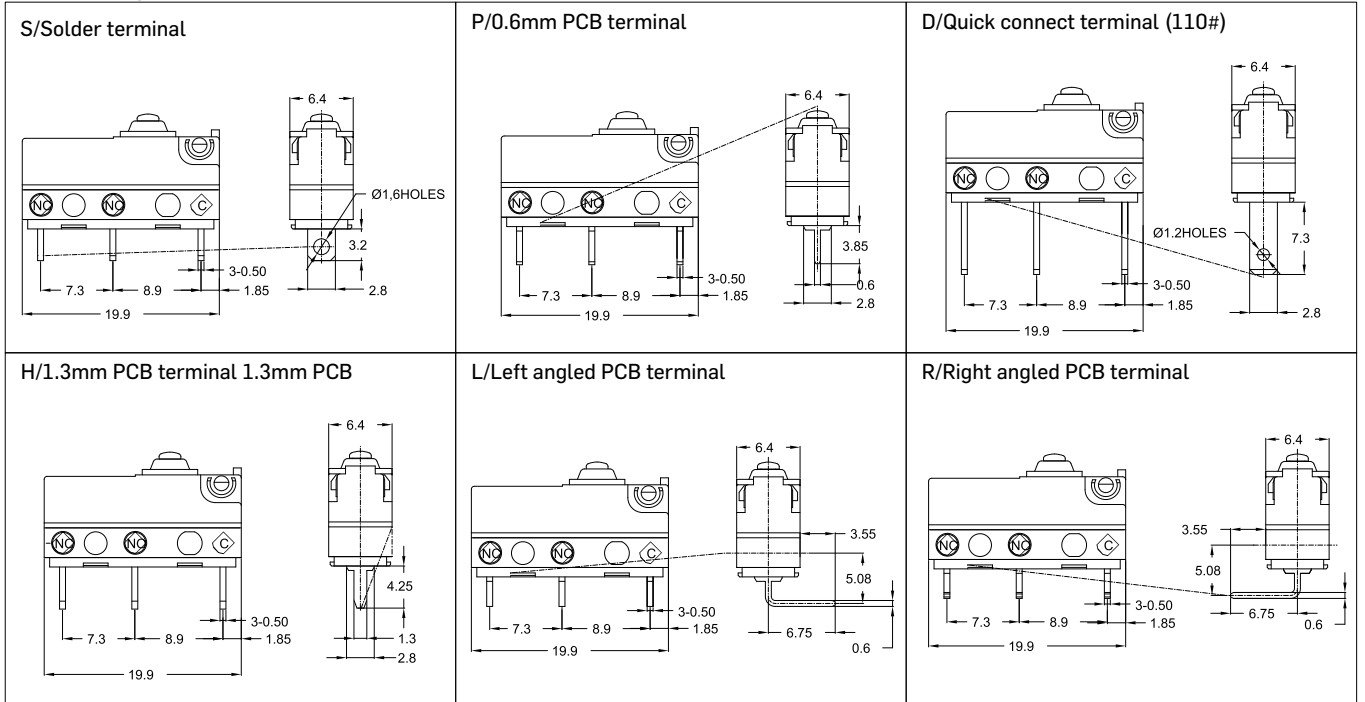
MT8

2

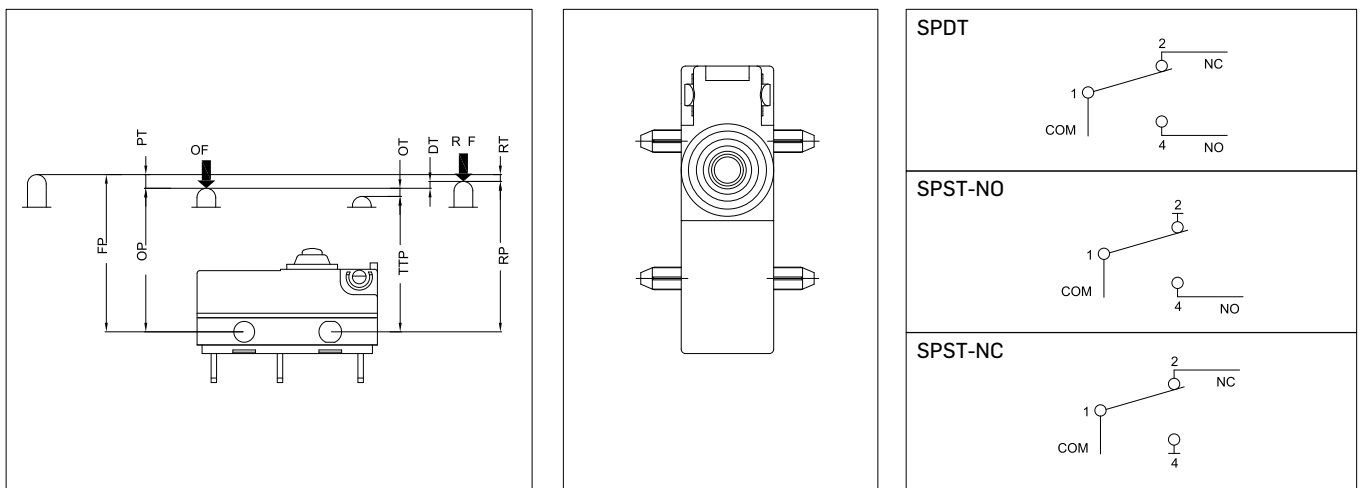
3

	Electrical Rating	Appearance Structure	AWG Number (for wire type only)	AWG Type (for wire type only)	Wires length	Special Designator
L1	UL/cUL/ENEC: 0.1A 125/250VAC 48VDC u 40T120 5E4	Mounting hole 2.30mm	No molded lead wires	No molded lead wires	500mm Length standard lead wires 500mm	General
06	UL/cUL/ENEC: 3A 125/250VAC 36VDC 5E4 6 (1.5) A 125/250VAC 36VDC 1E4 u 40T120	A Right side standard Posts: Φ1.80mmx2.8mm	A UL1007	A 20#	300 300mm length 300mm	G Gold Plated Contacts (Optional only for L1 rating)
10	UL/cUL/ENEC: 10(1.5) A 125/250VAC u 40T120 1E4	B Left side standard Posts: Φ1.80mmx2.8mm	B UL1430	B 22#	... Other	D Special use for high DC rating
		C Both sides standard posts: Φ1.80mmx2.8mm	C UL1061	C 24#		T Special code
		D Terminal spacing: Equal spacing	D UL1330	D 26#		
		... Other	E AVSS	E 28#		
			F UL1332	F 30#		
			G UL1015	G 32#		
			H UL3266	H 34#		

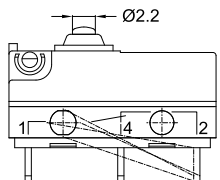
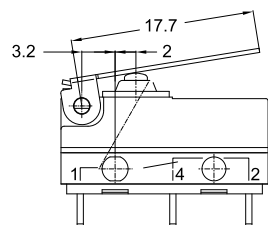
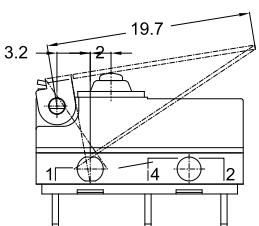
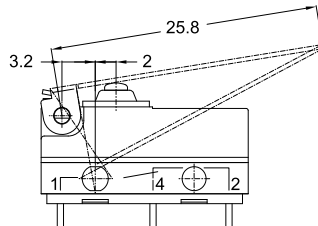
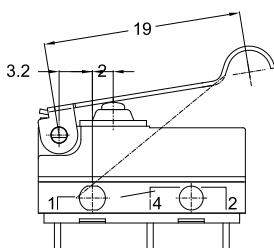
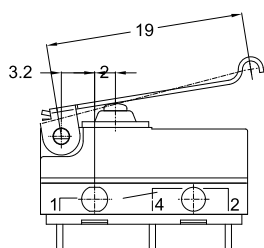
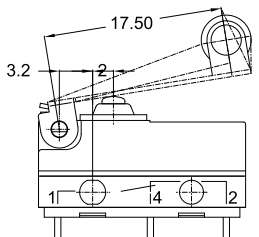
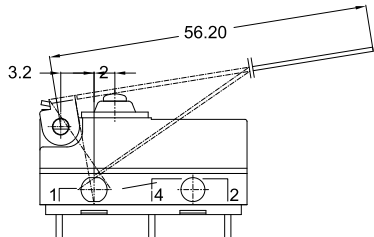
Terminal Options (mm) T=0.5mm



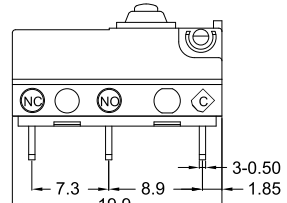
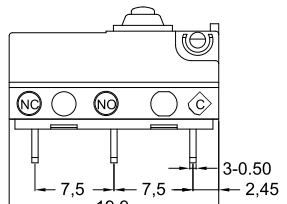
Contact Configuration



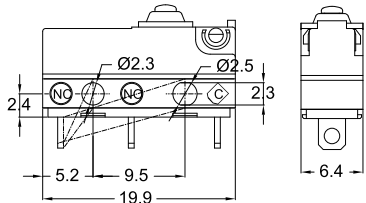
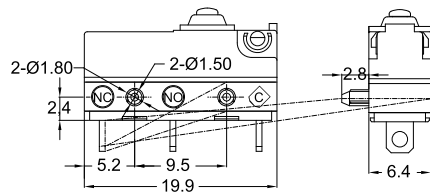
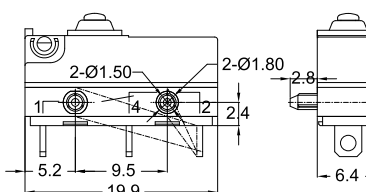
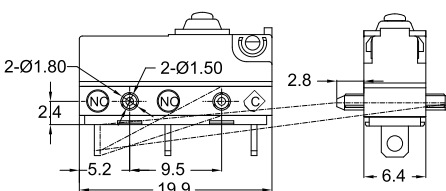
Lever Type

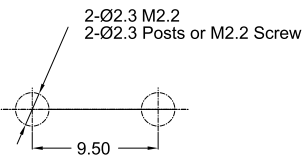
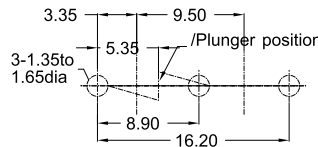
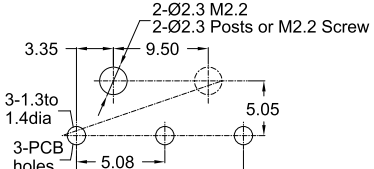
<p>00 (Pin plunger)</p> 	<p>01 (Short straight lever)</p> 
<p>02 (Std. straight lever)</p> 	<p>03 (Long straight lever)</p> 
<p>06 (Simulated roller lever)</p> 	<p>07 (Simulated roller lever)</p> 
<p>08 (Roller lever)</p> 	<p>10 (Longest straight lever)</p> 

Terminal spacing

<p>Terminal spacing: unequal spacing</p> 
<p>D (7.50mm) Terminal spacing equal spacing</p> 

Mounting Type

<p>Mounting Hole Type</p> 
<p>(Mounting Post Type) A</p> 
<p>(Mounting Post Type) B</p> 
<p>(Mounting Post Type) C</p> 

 <p>2-Ø2.3 M2.2 2-Ø2.3 Posts or M2.2 Screw</p>	<p>PCB</p> 
 <p>2-Ø2.3 M2.2 2-Ø2.3 Posts or M2.2 Screw</p> <p>3-1.3to 1.4dia 3-PCB holes</p>	<p>Ø1.8</p> 