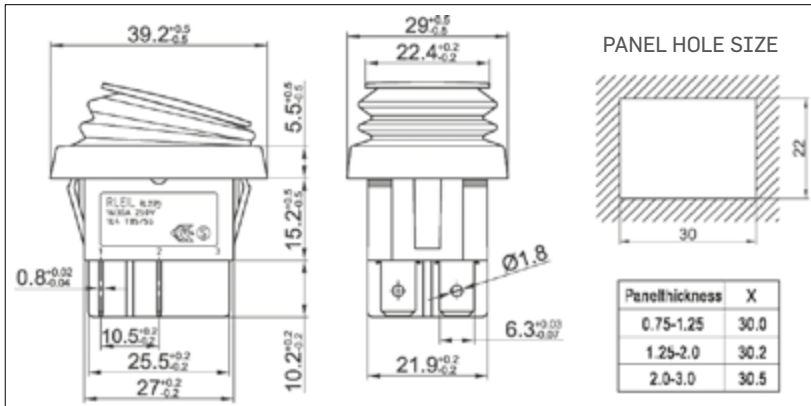




RL-2P-21/N-C-2-RE/BK-P1-2



MOQ: 5K



16 (8)A 250VAC T85/55 1E4
16A 125VAC
10A 250VAC
3/4 HP 125/250VAC T80

RL-2P

RL-2P	21/N	C	2	BK/BK	P1	(2)
Function	Cap type	Cap Printing	Cap colour / Housing	Terminals	Voltage	
21	ON - OFF 4T	C Soft line	0 None	WT White		1 110VAC
21/N	ON - OFF - 4T w/lamp	I Indicator lamp	1	BK Black		2 220VAC
21(ON)	(ON) - OFF 4T		2	RE Red		3 12VDC
22	ON - ON 6T		3	OR Orange		4 24VDC
22/N	ON-ON 6T		4	GR Green		
22(ON)	(ON)-ON 6T		5	BL Blue		
23	ON - OFF - ON 6T		X Custom	GE Grey		
23(ON)	(ON) - OFF - ON 6T					
23(2xON)	(ON) - OFF - (ON) 6T					

