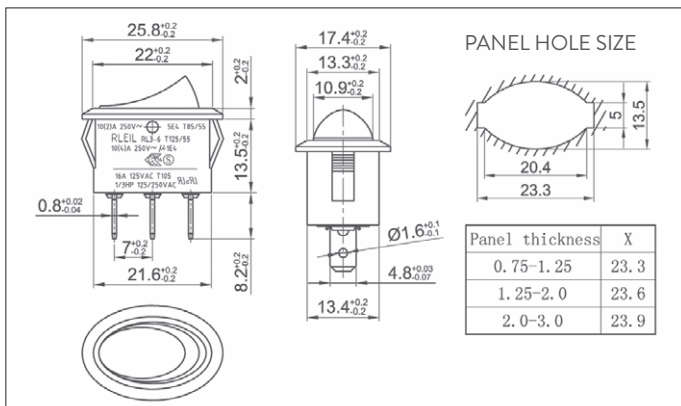




RL-36-11-G-0-BK/BK-P5



RU RU

(G): 6 (2)A 250VAC T125/55 1E4
10A 125VAC

(H): 10 (4)A 250VAC T125/55 1E4
10 (2)A 250VAC T85/55 5E4
16A 125V/10A 250VAC 1/3HP
125-250VAC T105

RL-36

RL-36 11/N G 2 BK/BK P6 ... (2)

Function		Rating	Cap Printing		Cap colour / Housing		Terminals	Voltage	
11	ON - OFF 2T	G	0	None	WT	White		1	110VAC
11/N	ON - OFF w/lamp 3T		1		BK	Black		2	220VAC
11(ON)	(ON) - OFF 2T	H	2		RE	Red		3	12VDC
12	ON - ON 3T		3		OR	Orange		4	24VDC
13	ON - OFF - ON 3T		4		GR	Green			
			5		BL	Blue			
			8		GE	Grey			
		X	Custom						