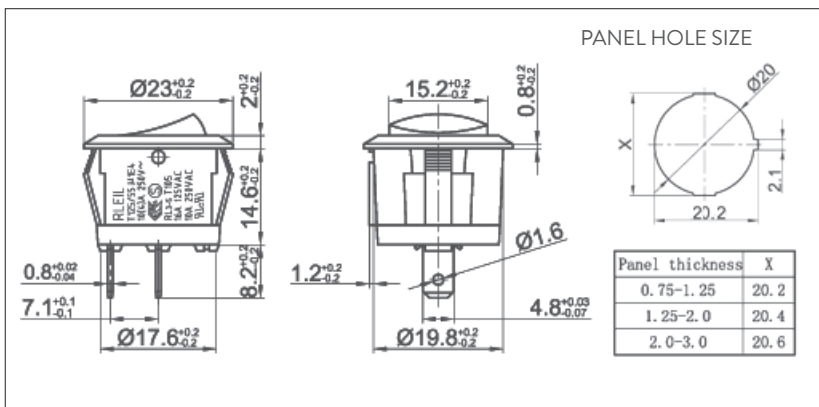




RL-35-13-G-115-BK/BK-P5



RU cRU

(G): 6 (2)A 250VAC T125/55 1E4
10A 125VAC

(H): 10 (4)A 250VAC T125/55 1E4
10 (2)A 250VAC T85/55 5E4
12 (8)A 250VAC T85/55 1E4
16A 125V/10A 250VAC 1/3HP
125-250VAC T105

RL-35

RL-35 11 G 2 BK/BK P5 0 ... (2)

Function		Rating	Cap Printing		Cap colour / Housing		Terminals	Nothing		Voltage	
00	Indicator lamp 2T	G 10A 125 VAC 6A 250 VAC	0	None	WT	White	(P4)	0	Nothing	1	110VAC
11	ON - OFF 2T		1		BK	Black		P	PVC/Cap.	2	220VAC
11/N	ON - OFF 3T w/lamp	H 16A 125 VAC 10A 250 VAC	2		RE	Red	(P5)			3	12VDC
11 (ON)	(ON) - OFF 2T		3		OR	Orange				4	24VDC
11 (OFF)	ON - (OFF) 2T		4		GR	Green					
11/N-D	ON - OFF 3T w/round lens		5		BL	Blue					
12	ON - ON 3T		8		GE	Grey	(P6)				
13	ON - OFF - ON 3T		X	Custom							
13 (ON)	(ON) - OFF - ON 3T						(P25)				