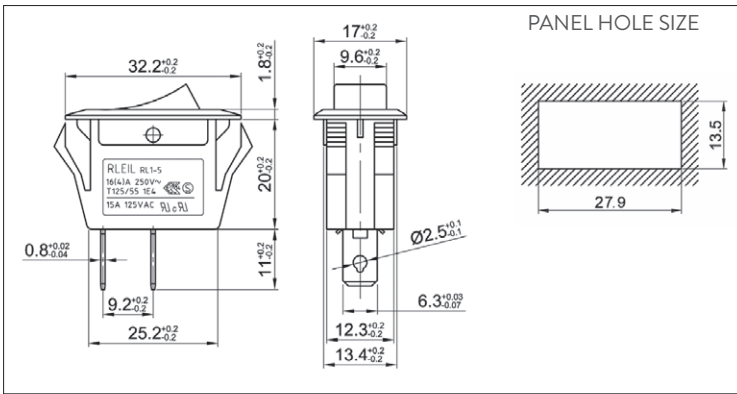




RL-15W-11/N-C-2-OR/BK-P3



16 (4)A 250VAC T125/55 1E4  
15A 125V

# RL-15W

RL-15W		11/N	C	2	RE/BK	P3	...	(2)		
Function		Cap type		Cap Printing		Cap colour / Housing		Terminals	Voltage	
11	ON - OFF 2T	B	Angle	0	None	WT	White	 (P3) 6.3	1	110VAC
11/N	ON - OFF 3T w/lamp	C	Soft line	1		BK	Black		2	220VAC
12	ON - ON 3T			2		RE	Red	 (P9) 6.3	3	12VDC
				3		OR	Orange		4	24VDC
				4		GR	Green			
				5		BL	Blue			
				8		GE	Grey			
				9						
				X	Custom					