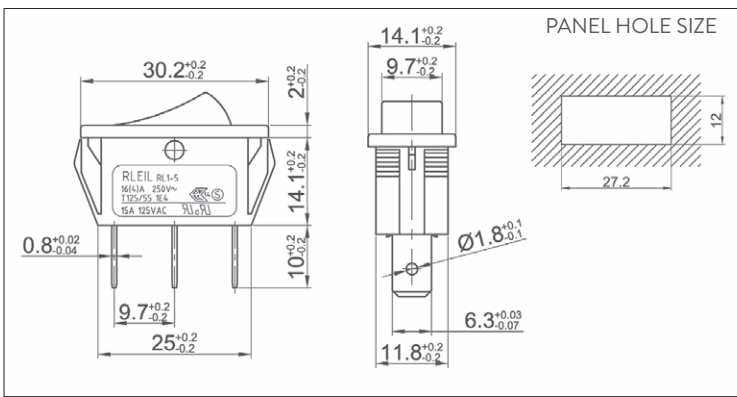




RL-15Y-11-B-2-BK/BK-P2



RU cRU
16 (4)A 250VAC T125/55 1E4
15A 125V

RL-15Y

RL-15Y	11	B	2	BK/BK	P1
Function	Cap type	Cap Printing	Cap colour / Housing	Terminals	
11	ON - OFF 2T	B Angle	0 None	WT White	<p>(P1) $\varnothing 1.8$</p> <p>(P2) $\varnothing 2.1$</p> <p>(P4) $\varnothing 1.6$</p> <p>(P14) $\varnothing 2.5$</p>
12	ON - ON 3T	C Soft line	1	BK Black	
13	ON - OFF - ON 3T		2	RE Red	
			3	OR Orange	
			4	GR Green	
			5	BL Blue	
			X Custom	GE Grey	