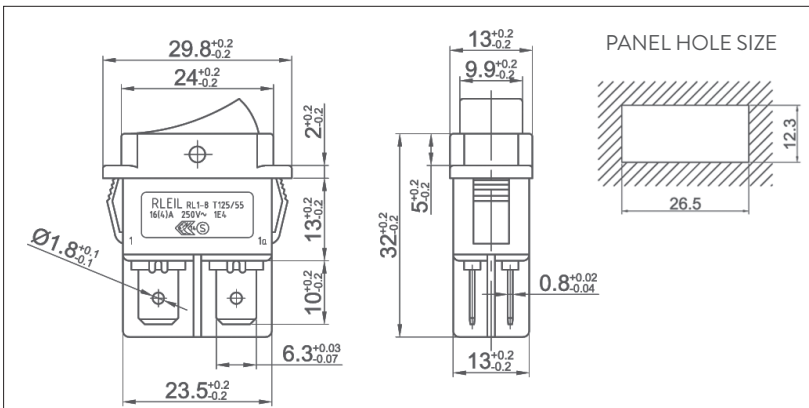




RL-18-21-C-2-RE/BK-P1



16 (4)A 250VAC T125/55 1E4  
16A 125VAC 1/2 HP T105

# RL-18

RL-18	11	C	2	WT/BK	P1	
Function		Cap type		Cap colour / Housing		Terminals

11	ON - OFF 2T
21	ON - OFF 4T

C	Soft line
---	-----------

0	None
1	
2	
3	
4	
5	
8	
X	Custom

WT	White
BK	Black
GE	Grey

