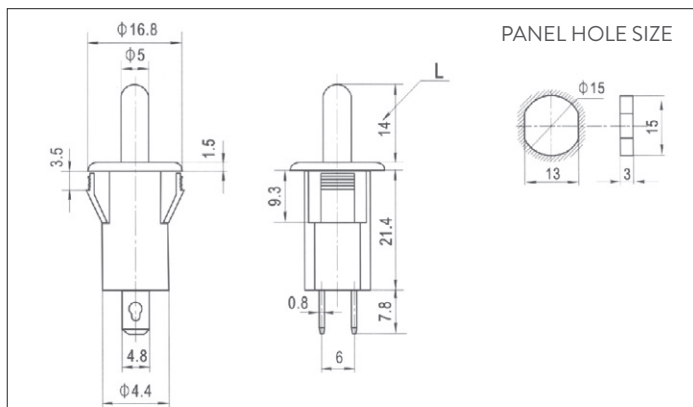




RL-52-10(ON)-H-BK-P8-L1



RU c RU

(G): 10A 125VAC T105/55 10E3
 6A 250VAC T105/55 10E3
 10A 125V T85

(H): 16A 125VAC T105/55 10E3
 10A 250VAC T105/55 10E3
 16A 125V/10A250V T85

RL-52

RL-52		10(ON)	H	BK	P8	L1	L
Function		Rating	Cap colour / Housing		Terminals	Push lenth	Operating Force
10(ON)	(ON) - OFF 2T	G 10A 125 VAC 6A 250 VAC	WT	White		L1	100 ± 30 gf
				BK		Black	L2
		H 16A 125 VAC 10A 250 VAC				L3	500 ± 100 gf
						L4	