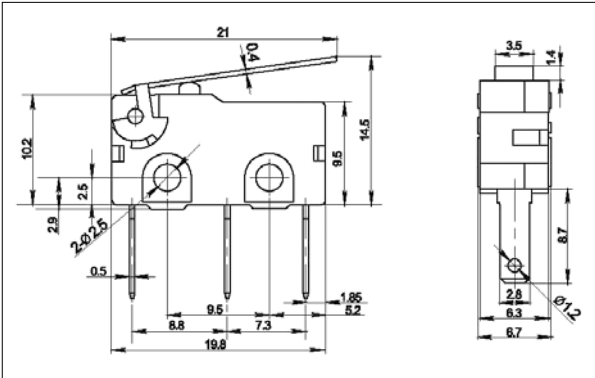




RL-62-E-H-BK-P41-O-N



(G): 6A 125V/250VAC
6A 250VAC T85 1E4
(H): 10A 125V/6A 250VAC T85 1/4HP 125VAC
10A 250VAC T85 1E4

Mechanical life: 1E6 cycles
In-house test

RL-62

RL-62	D	G	BK	P31	O	K
Function	Rating	Cap colour / Housing	Terminals	Lever Type	Operating Force	
D (ON)-OFF 2P	G 6A 125/250 VAC 6A 250 VAC	WT White BK Black GE Grey	 (P31)	0 Not Applicable	K	60 ± 15 gf
E ON-(OFF) 2P				1	L	100 ± 20 gf
F (ON)-ON 3P	H 10A 125 VAC 10A 250 VAC		 (P41)	2	M	150 ± 30 gf
				3	N	250 ± 50 gf
				4		
			 (PCB)	5		
			 [PCB(2)]	...		