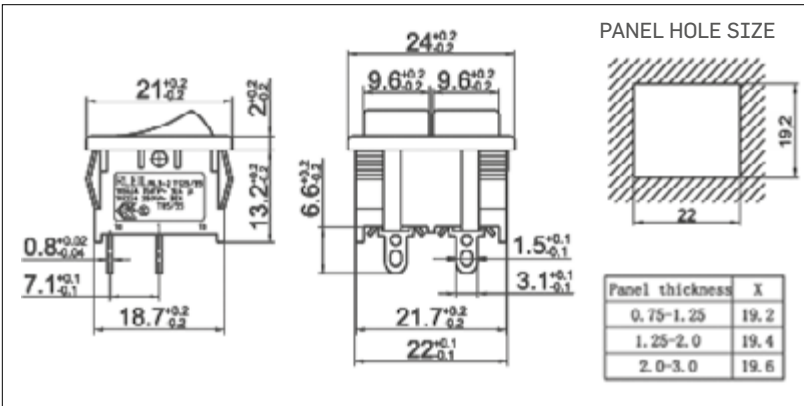




RL-32(D)-11(ON)/11-43/2-BL-RE/BK-P4



(G): 6 (2)A 250VAC T125/55 1E4  
10A 125VAC  
(H): 10 (4)A 250VAC T125/55 1E4  
10 (2)A 250VAC T85/55 5E4  
16A 125VAC/10A 250VAC 1/3HP  
125-250VAC T105

# RL-32D

RL-32D	11/11	G	30	BK-BK/BK	P5	0	2
Function	Rating	Cap Printing	Cap colour / Housing	Terminals	Nothing	Voltage	
00/00	Indicator lamp 4T	G 10A 125 VAC 6A 250 VAC	30	WT White	(P4)	1	110VAC
11/00	ON-OFF / Ind. lamp 4T		31	BK Black		2	220VAC
11/11	ON - OFF / ON - OFF 4T	H 16A 125 VAC 10A 250 VAC	32	RE Red	(P5)	3	12VDC
11(ON)/11	11(ON)/11 (ON)-OFF / ON-OFF 4T		33	OR Orange		4	24VDC
11(OFF)/11	ON-(OFF) / ON-OFF 4T		X	GR Green			
12/11	ON - ON/ ON - OFF 5T			BL Blue			
12/12	ON-ON / ON-ON 6T		GE Grey				
13/11	ON-OFF-ON / ON-OFF 5T						
13/12	ON-OFF-ON / ON-ON 6T						
13/13	ON-OFF-ON / ON-OFF-ON 6T						