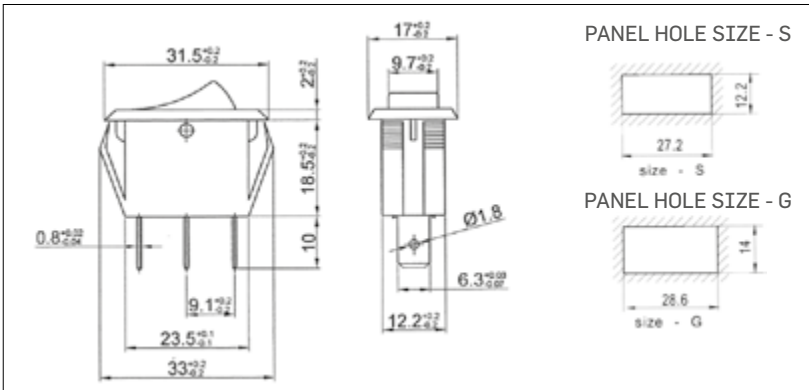




RL-15-11/N-C-2-RE/BK-P1-S-2



16 (4)A 250VAC T125/55 1E4  
15A 125V

(H) Rating: 20A 125V 3/4HP T105

# RL-15

**RL-15** 11/N C 2 BK/BK P1 S (2)

Function		Cap type		Cap Printing		Cap colour / Housing		Terminals	Panel hole size	Voltage	
11	ON - OFF 2T	A	Flat	0	None	WT	White			1	110VAC
11/N	ON - OFF 3T w/lamp	C	Soft line	1		BK	Black			2	220VAC
11 (ON)	(ON) - OFF 2T			2		RE	Red	3		12VDC	
11 (OFF)	ON - (OFF) 2T			3		OR	Orange	4		24VDC	
12	ON - ON 3T			4		GR	Green				
12 (ON)	(ON) - ON 3T			5		BL	Blue				
13	ON - OFF - ON 3T			6		GE	Grey				
13 (ON)	(ON) - OFF - ON 3T			7							
13 (2xON)	(ON) - OFF - (ON) 3T			8							
X	Custom			X	Custom						

**NEW**