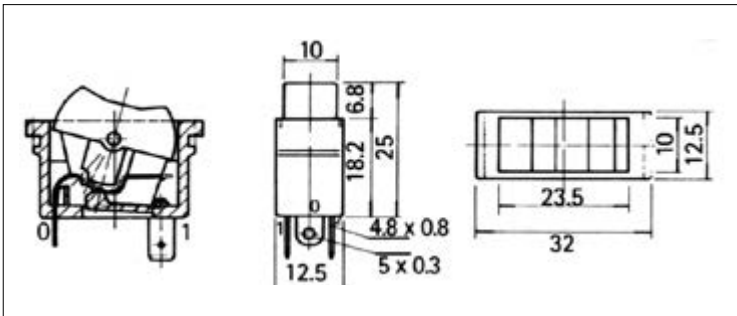




TI-200-10-R-152-RE/BK-P16



250V 10(2) T85/55 25E3
16(3) T85/55 1E4

TI-200

TI-200 10 B 3 RE/BK P16

Function	Body type	Cap Printing	Cap colour / Housing	Terminals
----------	-----------	--------------	----------------------	-----------

10	OF - ON - ON 3T	B	Round	0	None	WT	White	
		C	Narrow	371	● 1 2	BK	Black	
				372	0 1 2	RE	Red	
				168	○ I II	BL	Blue	
		X	Custom					

Electrical diagram

