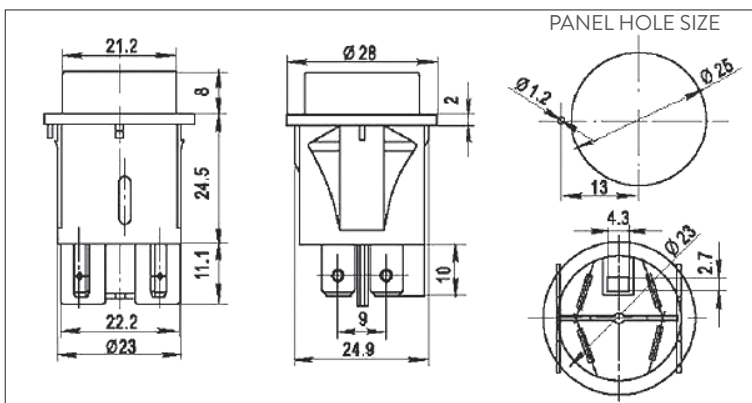




RL-51-21/N-0-BL/BK-P1-2



16 (6)A 250VAC T125/55 1E4
10 (4)A 250VAC T125/55 5E4
3/4HP 250VAC
1/2HP 125V
16A 125 VAC T105

RL-51

| RL-51 | 21/N | O | 0 | RE/BK | P1 | ... | (2) | | |
|----------|---------------------------------------|--------------|----------------------|-----------|---------|-----|--------|---|--------|
| Function | Cap Type | Cap Printing | Cap colour / Housing | Terminals | Voltage | | | | |
| 00 | Indicator lamp 2T | 0 | Nothing | 0 | None | WT | White | 1 | 110VAC |
| 11 | ON - OFF 2T | P | PVC/Cap. | 333 | | BK | Black | 2 | 220VAC |
| 11/N | ON-OFF w/lamp 3T NEW | R | | 334 | | RE | Red | 3 | 12VDC |
| 11(ON) | (ON) - OFF 2T | | | 395 | | OR | Orange | 4 | 24VDC |
| 11+ILV | ON - OFF 2T + Ind. lamp 2T NEW | C | | X | Custom | GR | Green | | |
| 21 | ON - OFF 4T | | | | | BL | Blue | | |
| 21/N | ON - OFF - 4T w/lamp | | | | | GE | Grey | | |
| 21(ON) | (ON) - OFF 4T | | | | | | | | |
| 21(ON)/N | (ON) - OFF 4T w/lamp | | | | | | | | |

