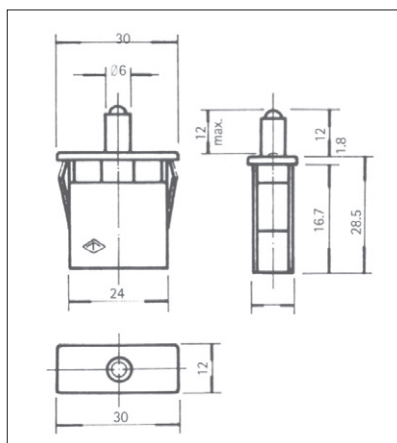
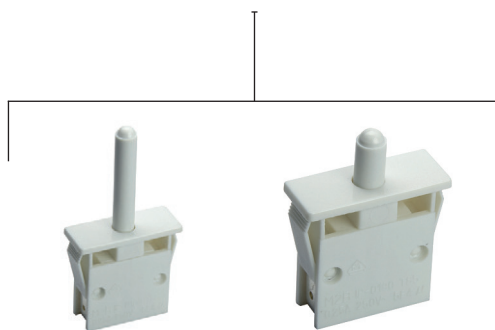


IP-190-11(OFF)-WT-P4-A



Ask for other lever possibilities.
The lever can be personalized by the customer.

250VAC 0.25A T85 5E4

IP-190

IP-190		11(OFF)		WT/WT		P4		A	
Function		Cap colour / Housing		Terminals		Lever length			
11(OFF)	ON -(OFF) 2T	WT	White			A	12 mm		
						B	30 mm		