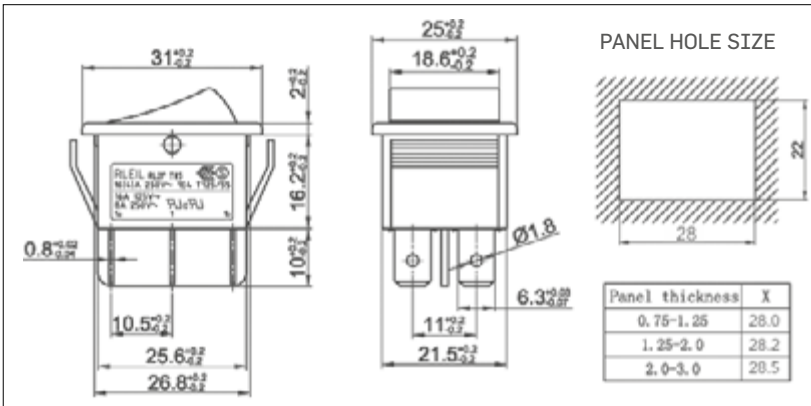




RL-21-21-C-2-OR/BK-P2



16 (4)A 250VAC T125/55 1E4  
16A 125V/8A 250VAC

# RL-21

**RL-21** 11 C 2 BK/BK P1 ... (2)

Function		Cap type		Cap Printing		Cap colour / Housing		Terminals	Voltage		
11	ON - OFF 2T	A	Flat	0	None	WT	White		1	110VAC	
12	ON - ON 3T	C	Soft line	1		BK	Black		2	220VAC	
21	ON - OFF 4T	P	W/PVC-Cap.	2		RE	Red		3	12VDC	
21/N	ON - OFF - 4T w/lamp	D	W/round led <b>NEW</b>	3		OR	Orange		4	24VDC	
22	ON - ON 6T			4		GR	Green				
22(ON)	(ON) - ON 6T			5		BL	Blue				
23	ON - OFF - ON 6T			6		GE	Grey				
				7							
				8							
				X	Custom						